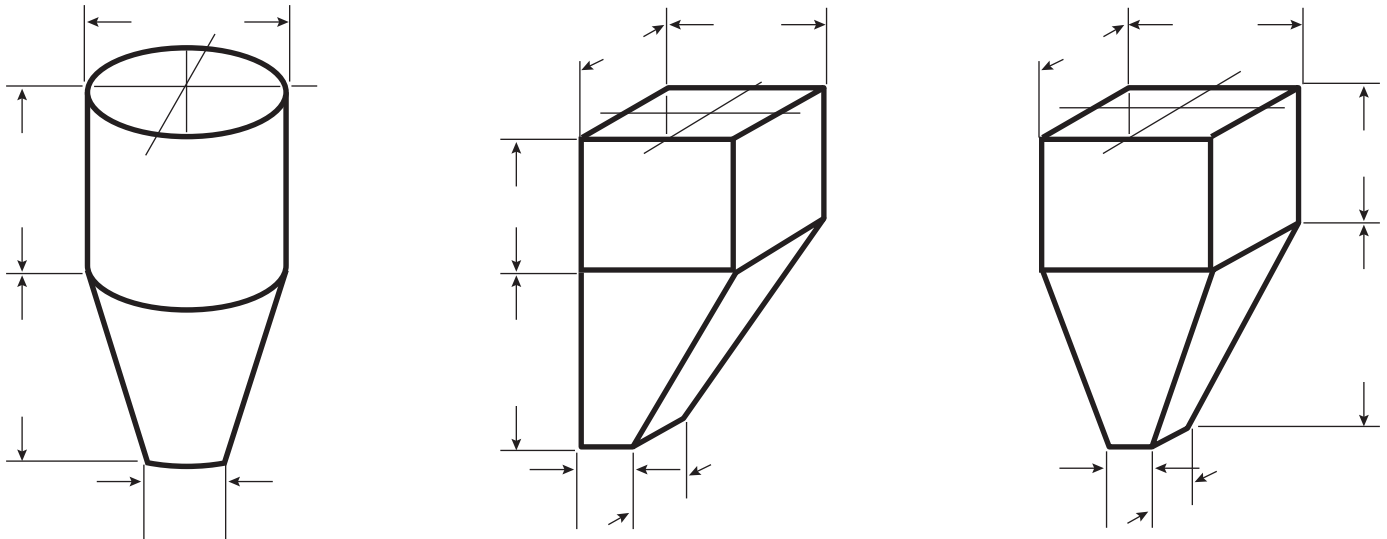


VIBRATOR DATA SHEET

Supplement this data sheet with additional comments and/or drawings that will assist in a complete description of the application.						
Material to be Handled	Name or Description				Samples being Furnished <input type="checkbox"/> Yes <input type="checkbox"/> To be Returned <input type="checkbox"/> No <input type="checkbox"/> To be Destroyed	
Maximum Weight in Bin or Hopper _____ LBS.	Tendency to <input type="checkbox"/> Arch <input type="checkbox"/> Rathole	Fineness (Attach screen analysis, if possible)		Weight _____ lbs. Per cubic ft.	Moisture Content _____ %	Temperature _____ °F
Bin or Hopper	Location of Inlet Opening			Angle of Bottom _____ ° From Horizontal	Discharge <input type="checkbox"/> Intermittently <input type="checkbox"/> Continuously	
Size of Bin or Hopper (Please enter all dimensions in feet and inches.) Diameter _____ Length _____ Width _____ Depth _____				Size of Discharge Opening Diameter _____ Length _____ Width _____		

Add dimensional information. Also show reinforcing, if any, and number and location of discharge opening. Use the reverse side for sketches if necessary. Please enter all dimensions in feet and inches.



Bin or Hopper Construction			
<input type="checkbox"/> Steel: _____ Gauge		<input type="checkbox"/> Wood: <input type="checkbox"/> Plank _____ Inches	
<input type="checkbox"/> Welded <input type="checkbox"/> Riveted		<input type="checkbox"/> Plywood _____ Thick	
<input type="checkbox"/> Metal Liner _____ Gauge			
Special Requirements _____			
Unit Preference		Volts _____	
Impacting: <input type="checkbox"/> Electromagnetic (solid <input type="checkbox"/> / Cushioned <input type="checkbox"/>)		Cycles _____	
<input type="checkbox"/> Pneumatic Piston (solid <input type="checkbox"/> / Cushioned <input type="checkbox"/>)		Phases _____	
Inertial <input type="checkbox"/> Electromechanical			
<input type="checkbox"/> Pneumatic Turbine			
Customer Name		Quote To Attention Of	
Street		Contract Engineer	
City		Date	
State	Zip Code	Mail Quote To: <input type="checkbox"/> Customer <input type="checkbox"/> Sales Office	