

Introducing the New PowerPulse WT

Type 4X Enclosure

- Corrosion resistant polycarbonate
- Water and dust tight design
- For indoor and outdoor use

Enhanced Circuit Board

- UL certified
- CUL certified
- Available in 115 and 230 volt 50/60 HZ

Practical Design

- Small lightweight control
- Interchangeable with previous models
- Easy installation and operation

Reliable

- Part of the Syntron family of products
- Providing products and solutions for over 80 years

Extended Service Life

*Type 4X Enclosure
Enhanced Circuit Board
UL/CUL Certified*



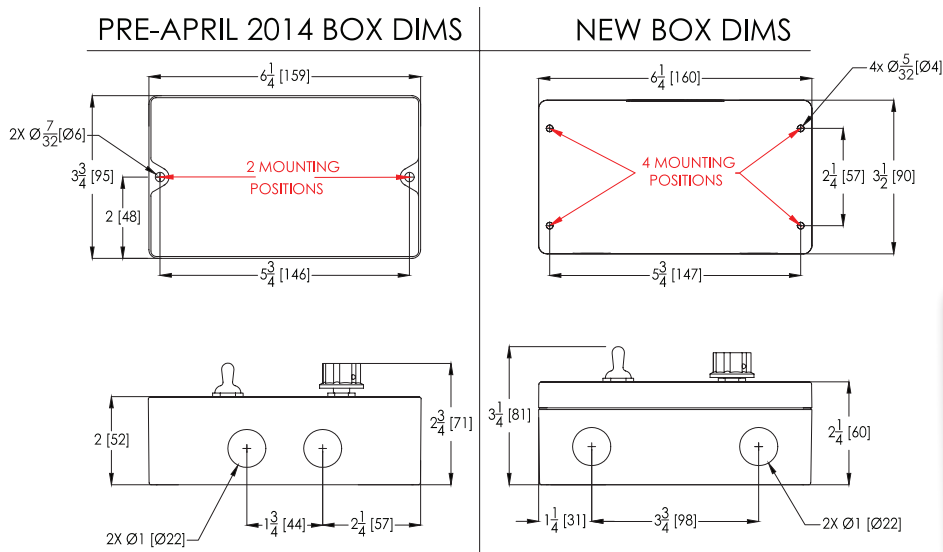
Made in U.S.A.

**Ideal for all of your
Syntron vibrator
and feeder needs**

PowerPulse WT

Feature	Benefit
Type 4X Enclosure	Protection against dust and water both indoor and outdoor
New Mounting Layout	Four hole layout allows for simple sturdy mounting
Interchangeable	Compatible with all old PowerPulse applications
Ergonomic Design	Easy to connect and install
115 and 230 Volt Models 50/60 HZ	Suitable for domestic and international applications
Enhanced Circuit Board	Now UL and CUL Certified
New Board Dimensions	New board is interchangeable with previous PowerPulse RC enclosures

Dimensional Data



New PowerPulse Part Numbers

7200-006-A	115V 50/60 Hz and 230V 50 Hz
7200-006-B	230V 60 Hz

*** Max amp rating for New **PowerPulse WT** is 5 amps.

Saltillo
 2730 Hwy 145 South
 Saltillo, Mississippi 38866
 Phone: 662.869.5711
 Fax: 662.869.7493
 Toll Free: 800.356.4898
 orders@syntronmh.com

Changshu
 #2 Road No. 1
 Changshu Export Processing Zone
 Changshu, Jiangsu, China 215513
 Phone: +86 0512.52299002
 Fax: +86 0512.52297228
 info@syntronmh.com

Enclosure Changes

- Four hole mounting
- Type 4X enclosure
- Cable hole positions



Replaces

PowerPulse RC
 PowerPulse DT
 C-SCR-1B-1

www.syntronmh.com